

**Plug In  
 SpeedDelight with adjustable tube,  
 ribbed removable teflon plate - UK Plug**

ITEM # \_\_\_\_\_

MODEL # \_\_\_\_\_

NAME # \_\_\_\_\_

SIS # \_\_\_\_\_

AIA # \_\_\_\_\_


**603878 (HSG2RPRSE1)**

 SpeedDelight with manual  
 Adjustable Top ribbed  
 Contact Plate, dark grey -  
 UK

### Short Form Specification

**Item No.** \_\_\_\_\_

Lid and top plate constructed in 304 AISI stainless steel and with external high-grade composite material paneling and handle. Possibility to manually adjust the maximum movement of the upper plate. Back cover and side panels in 304 AISI stainless steel and bottom in AISI 430 stainless steel. Ribbed top contact plate (215 x 215 mm) in aluminum with non-stick coating. Can accept snacks from 10 to 75 mm thick. Smooth 4 mm thick quartz glass bottom cooking surface (250 x 250 mm). 2 probes independently control the temperature of the top and bottom plates (50 to 250°C). Automatic lid holding and opening system. Automatic lifting of the lid at the end of the cooking cycle via mechanical spring. Electronic control with digital 4,3" LED display, countdown display and buzzer at the end of the cycle. 800 W heating element on the top plate and 800 W electrical armored heating elements on the bottom plate. 2 x 1050 W magnetrons for microwaves. Front air inlet and back outlet for efficient cooling ventilation. Ergonomic handle in high-grade composite material for easy movement of the lid. Removable top front panel and dismountable top cooking plate for better cleanability.

8 preloaded programs (editable): P1 = 70 sec. (12 sec. MW) P2 = 80 sec. (8 sec. MW) P3 = 60 sec. (20 sec. MW) P4 = 75 sec. (25 sec. MW) P5 = 85 sec. (25 sec. MW) P6 = 85 sec. (18 sec. MW) P7 = 30 sec. (25 sec. MW) P8 = 12 sec. (no MW) With Top temperature = 249° C and bottom temperature = 230° C

### Main Features

- It combines 3 cooking technologies: contact, infrared radiation and microwaves to provide perfectly cooked food, heated to the core.
- The Energy Saving Mode automatically switches to stand-by after an amount of time settled by the operator (from 1 to 60 minutes).
- Delivered with USB port and wi-fi connection to optimize workflows allowing local and remote interaction (temperatures, countdowns, warnings).
- Electronic control with digital 4.3" LED display with adjustable brightness.
- Countdown display and buzzer with adjustable volume at the end of the cycle.
- 8 programs selectable on the display.  
 The 8 programs can be adjusted by the user. The programmable parameters are:  
 - upper plate temperature  
 - bottom plate temperature  
 - total duration of each cycle  
 - duration and distribution of microwaves within each cycle.
- Automatic mechanical lid holding and opening system controlled.
- Ergonomic handle for easy movement of the lid.
- Compliant with Regulation (EC) No 1935/2004 and its amendments, Regulation (EC) No 2023/2006 and its amendments.
- Manually adjustable upper plate to heat food up to a minimum height.
- Non-stick pressed tray to be used during all cooking cycles for maximum cleanability, meeting food contact requirements.

**APPROVAL:** \_\_\_\_\_

### Construction

- 2 temperature probes for an independent control of the top and bottom plate temperature.
- Aluminum ribbed top contact plate (215 x 215 mm) treated with a special non-stick coating.
- Smooth 4 mm thick quartz glass bottom cooking surface (250 x 250 mm).
- Automatic lifting of the lid at the end of the cooking cycle via mechanical spring.
- Lid covers, handle and side panels in high-grade reinforced composite material.
- 800W heating element on the top plate.
- IPX4 water resistance certification.
- 800W electrical armored heating element on the bottom plate.
- 2 x 1050W magnetrons for microwave.
- Front air inlet and back outlet for efficient cooling ventilation allows easy air filters removal and side by side installation.
- Independent temperature setting of the top and bottom plates from 50 to 250 °C.

### User Interface & Data Management

- Connectivity ready for real time access to connected appliances from remote and data monitoring (requires optional accessory - contact the Company for more details).

### Included Accessories

- 1 of Glass saver for SpeedDelight PNC 653527
- 1 of Cleaning brush for SpeedDelight PNC 653623
- 1 of Spatula for SpeedDelight PNC 653625
- 1 of 4 rubber feet - Height = 26 mm for SpeedDelight PNC 653792
- 1 of SpeedDelight spacer stop kit for rear ventilation PNC 653800
- 1 of Pressed non-stick tray PNC 653802
- 1 of Brush with nylon bristles PNC 653803
- 1 of Brush with brass bristles PNC 653804

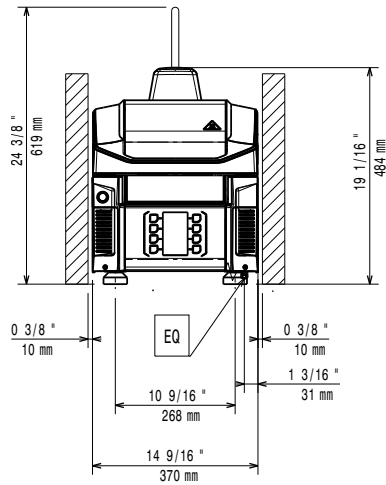
### Optional Accessories

- Glass saver for SpeedDelight PNC 653527
- Cleaning brush for SpeedDelight PNC 653623
- Spatula for SpeedDelight PNC 653625
- Removable ribbed teflon plate for SpeedDelight PNC 653787
- 4 stainless steel feet - Height = 76 mm for SpeedDelight PNC 653791
- 4 rubber feet - Height = 40 mm for SpeedDelight PNC 653793
- SpeedDelight spacer stop kit for rear ventilation PNC 653800
- Pressed non-stick tray PNC 653802
- Brush with nylon bristles PNC 653803
- Brush with brass bristles PNC 653804

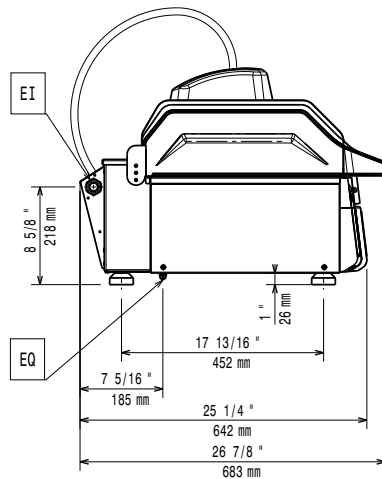
### Recommended Detergents

- \*NOT TRANSLATED\* PNC 0S2292
- S02 DEGREASER 6pzx750ml - ADR&IMDG Limited Quantity PNC 0S2882

Front

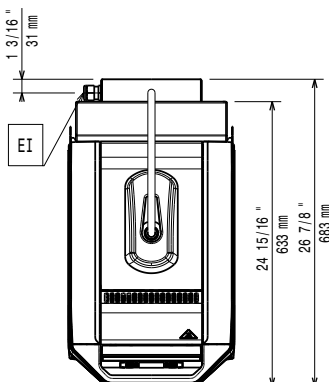


Side



EI = Electrical inlet (power)  
 EO = Electrical Outlet

Top



### Electric

#### Supply voltage:

603878 (HSG2RPRSE1) 220-230 V/1 ph/50 Hz

#### Rated amps:

22 A

#### Total Watts:

5 kW

### Installation:

Clearance: 190mm from rear vertical panel

### Key Information:

External dimensions, Width: 370 mm

External dimensions, Depth: 683 mm

External dimensions, Height: 619 mm

Net weight: 46 kg

Shipping weight: 58 kg

Shipping height: 710 mm

Shipping width: 450 mm

Shipping depth: 760 mm

Shipping volume: 0.24 m<sup>3</sup>